

# Castlemaine ROD SHOP

1 PYRENEES HWY, CHEWTON VIC 3551. P.O. BOX 1245 CASTLEMAINE VIC 3450

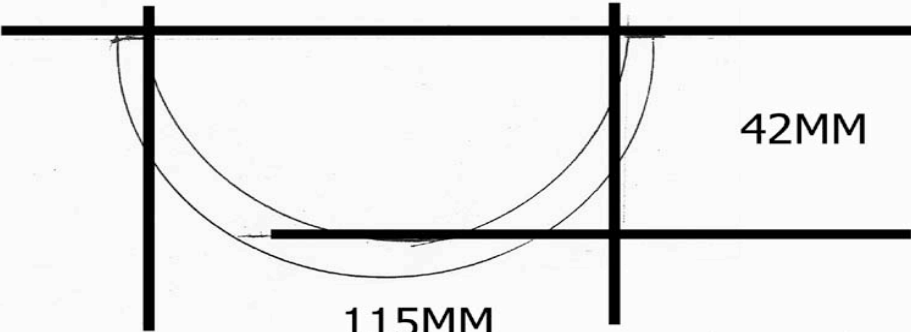
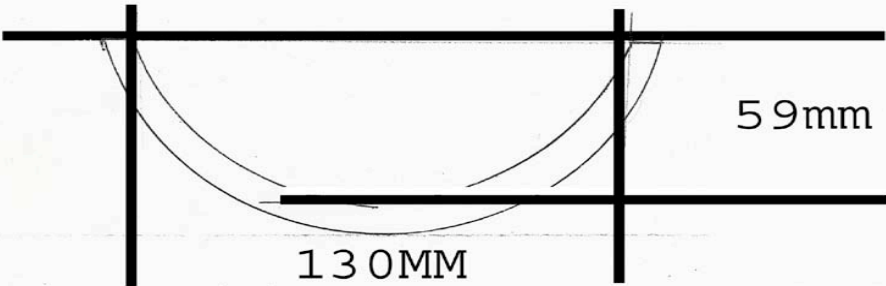
☎ 0354722853 FAX 0354721241

email: sales@rodshop.com.au

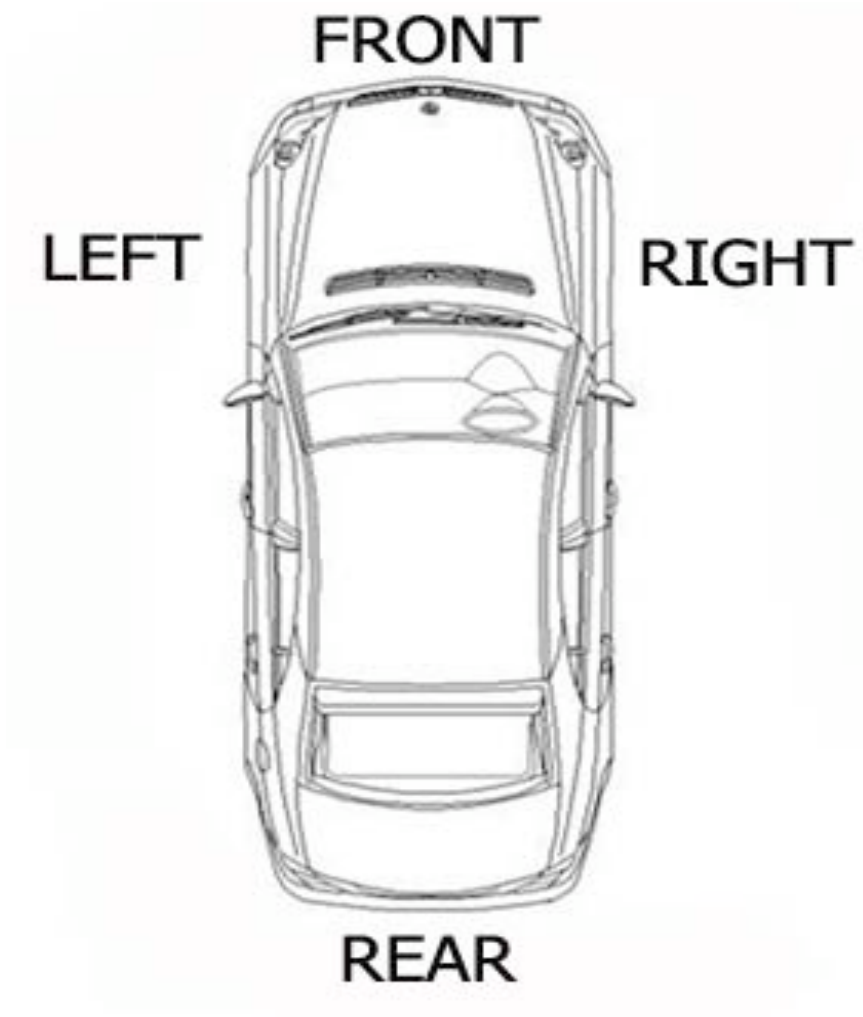
## CHEV SUMP ORDER FORM

Due to so many varieties of Chev engine set ups we now need this form to be completed BEFORE any sump orders will proceed

Please tick 1 piece or 2 piece rear main seal

	<input type="checkbox"/>
2 Piece rear main seal	
	<input type="checkbox"/>
1 Piece rear main seal	

Please circle Left Hand Side or Right Hand Side dipstick



NAME

DATE

SIGNED

--	--	--

Please fax to 0354721241 or email to [sales@rodshop.com.au](mailto:sales@rodshop.com.au)

This form must be completed and faxed/emailed before order proceeds